



SINGLE ACTING LOW HEIGHT CYLINDERS, HIGH TONNAGE, LOAD RETURN

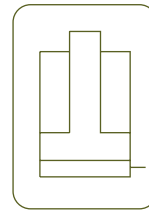
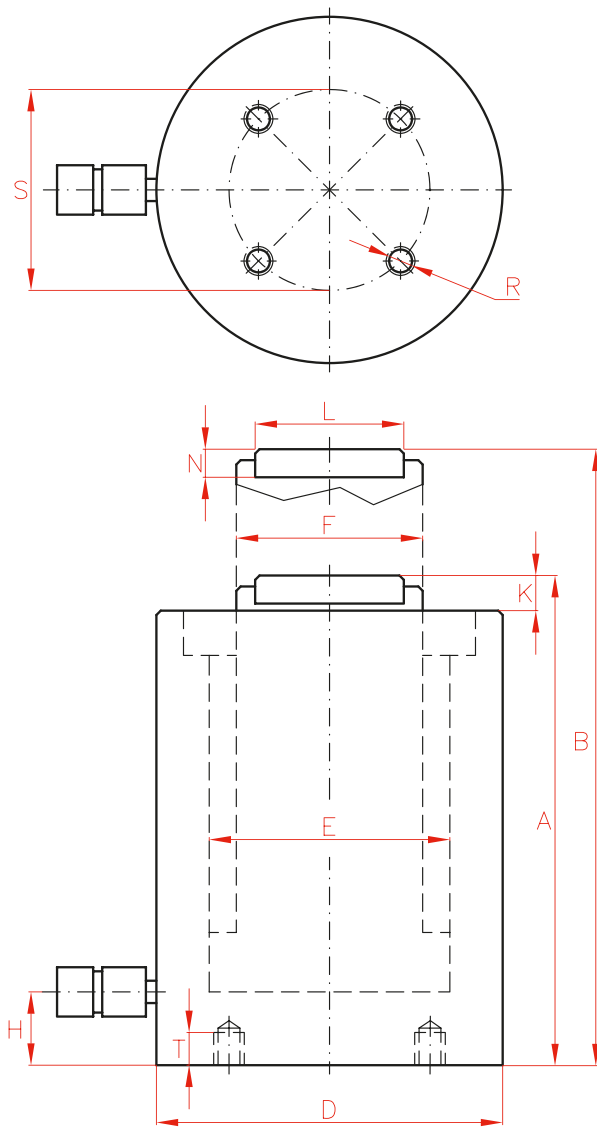


- ✓ Capacity from 140 to 1.100 Tn, stroke up to 300 mm.
- ✓ Load return.
- ✓ Mechanical end of stroke gland avoids over travel at full pressure.
- ✓ Tapped base mounting holes for easy fixing.
- ✓ Models available up to 2.000 Tn lifting capacity per cylinder.

Capacity		Stroke mm	Model LARZEP	Oil Cap. cm ³	A mm
Tn	kN				
140	1.379	50	SPR14005	1.005	202
		100	SPR14010	2.011	252
		150	SPR14015	3.016	307
		200	SPR14020	4.021	357
		250	SPR14025	5.027	412
		300	SPR14030	6.032	462
220	2.155	50	SPR22005	1.571	206
		100	SPR22010	3.142	256
		150	SPR22015	4.712	311
		200	SPR22020	6.283	361
		250	SPR22025	7.854	416
		300	SPR22030	9.425	466
350	3.367	50	SPR35005	2.454	236
		100	SPR35010	4.909	286
		150	SPR35015	7.363	341
		200	SPR35020	9.817	391
		250	SPR35025	12.272	446
		300	SPR35030	14.726	496



Performance under Pressure



SINGLE ACTING CYLINDERS



Type	SPR
Capacity	140 - 1.100 Tn
Stroke	50 - 300 mm
Max. pressure	700 bar

SPR CYLINDERS

DDR Double Acting High Tonnage Cylinders



P.60

	B	D	E	F	H	K	L	N	R	S	T	Area	Weight	Model	With tilting saddle	
	mm	mm	mm	mm	mm	mm	mm	mm		mm	mm	cm ²	kg	LARZEP	A	Model
	252	200	160	140	36	6	88	14	M12	130	22	201	47	SPR14005	235	AZ0404
	352	200	160	140	36	6	88	14	M12	130	22	201	57	SPR14010	285	AZ0404
	457	200	160	140	36	6	88	14	M12	130	22	201	68	SPR14015	340	AZ0404
	557	200	160	140	36	6	88	14	M12	130	22	201	78	SPR14020	390	AZ0404
	662	200	160	140	36	6	88	14	M12	130	22	201	89	SPR14025	445	AZ0404
	762	200	160	140	36	6	88	14	M12	130	22	201	99	SPR14030	495	AZ0404
	256	250	200	160	40	6	111	15	M12	165	22	314	73	SPR22005	243	AZ0405
	356	250	200	160	40	6	111	15	M12	165	22	314	87	SPR22010	293	AZ0405
	461	250	200	160	40	6	111	15	M12	165	22	314	102	SPR22015	348	AZ0405
	561	250	200	160	40	6	111	15	M12	165	22	314	116	SPR22020	398	AZ0405
	666	250	200	160	40	6	111	15	M12	165	22	314	126	SPR22025	453	AZ0405
	766	250	200	160	40	6	111	15	M12	165	22	314	145	SPR22030	503	AZ0405
	286	310	250	200	50	6	178	23	M16	180	30	491	129	SPR35005	280	AZ0408
	386	310	250	200	50	6	178	23	M16	180	30	491	152	SPR35010	330	AZ0408
	491	310	250	200	50	6	178	23	M16	180	30	491	177	SPR35015	385	AZ0408
	591	310	250	200	50	6	178	23	M16	180	30	491	200	SPR35020	435	AZ0408
	696	310	250	200	50	6	178	23	M16	180	30	491	225	SPR35025	490	AZ0408
	796	310	250	200	50	6	178	23	M16	180	30	491	248	SPR35030	540	AZ0408



HBM / HBE
Split-Flow Powerpacks



P.88

Z12107
Air Hydraulic Pump

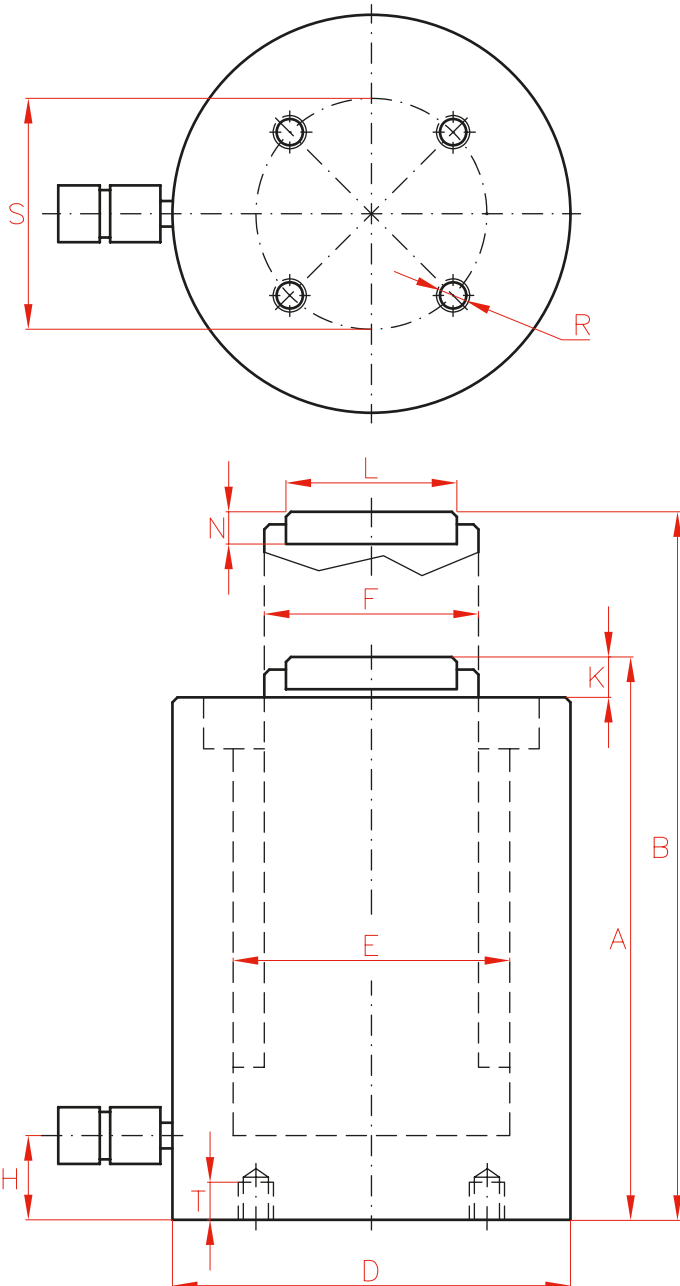


P.86

HBM / HBE
Powerpack



P.88



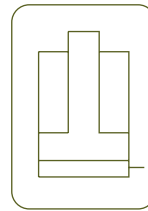
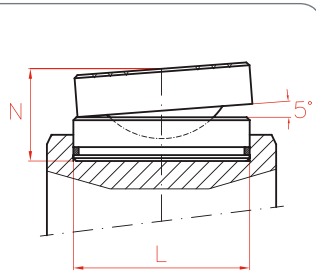
Capacity		Stroke	Model	Oil Cap.	A
Tn	kN	mm	LARZEP	cm ³	mm
430	4.224	50	SPR43005	3.079	248
		100	SPR43010	6.158	298
		150	SPR43015	9.236	353
		200	SPR43020	12.315	403
		250	SPR43025	15.394	458
		300	SPR43030	18.473	508
560	5.517	50	SPR56005	4.021	268
		100	SPR56010	8.042	318
		150	SPR56015	12.064	373
		200	SPR56020	16.085	423
		250	SPR56025	20.106	488
		300	SPR56030	24.127	538
670	6.600	50	SPR67005	4.811	293
		100	SPR67010	9.621	343
		150	SPR67015	14.432	398
		200	SPR67020	19.242	448
		250	SPR67025	24.053	508
		300	SPR67030	28.863	558
880	8.621	50	SPR88005	6.283	310
		100	SPR88010	12.566	360
		150	SPR88015	18.850	420
		200	SPR88020	25.133	470
		250	SPR88025	31.416	530
		300	SPR88030	37.699	580
1.100	10.910	50	SPR110005	7.952	345
		100	SPR110010	15.904	395
		150	SPR110015	23.856	455
		200	SPR110020	31.809	505
		250	SPR110025	39.761	565
		300	SPR110030	47.713	615



Performance under Pressure

OPTIONAL TILTING SADDLES

Model	L	N	Weight
LARZEP	mm	mm	kg
AZ0404	88	47	2,2
AZ0405	111	52	4,0
AZ0408	178	67	13,0
AZ0411	200	79	19,3
AZ0413	250	105	40,0
AZ0415	325	175	113,0



P.118

SINGLE ACTING CYLINDERS



Type **SPR**

Capacity **140 - 1.100 Tn**

Stroke **50 - 300 mm**

Max. pressure **700 bar**

SPR CYLINDERS

	B	D	E	F	H	K	L	N	R	S	T	Area	Weight	Model	With tilting saddle	
	mm	mm	mm	mm	mm	mm	mm	mm		mm	mm	cm ²	kg	LARZEP	A	Model
	298	340	280	220	55	8	178	23	M16	205	30	616	163	SPR43005	292	AZ0408
	398	340	280	220	55	8	178	23	M16	205	30	616	189	SPR43010	342	AZ0408
	503	340	280	220	55	8	178	23	M16	205	30	616	219	SPR43015	397	AZ0408
	603	340	280	220	55	8	178	23	M16	205	30	616	245	SPR43020	447	AZ0408
	708	340	280	220	55	8	178	23	M16	205	30	616	275	SPR43025	502	AZ0408
	808	340	280	220	55	8	178	23	M16	205	30	616	301	SPR43030	552	AZ0408
	318	390	320	250	65	8	200	27	M24	250	36	804	232	SPR56005	320	AZ0411
	418	390	320	250	65	8	200	27	M24	250	36	804	267	SPR56010	370	AZ0411
	523	390	320	250	65	8	200	27	M24	250	36	804	306	SPR56015	425	AZ0411
	623	390	320	250	65	8	200	27	M24	250	36	804	340	SPR56020	475	AZ0411
	738	390	320	250	65	8	200	27	M24	250	36	804	389	SPR56025	540	AZ0411
	838	390	320	250	65	8	200	27	M24	250	36	804	423	SPR56030	590	AZ0411
	343	430	350	280	65	8	200	27	M24	275	36	962	312	SPR67005	345	AZ0411
	443	430	350	280	65	8	200	27	M24	275	36	962	355	SPR67010	395	AZ0411
	548	430	350	280	65	8	200	27	M24	275	36	962	404	SPR67015	450	AZ0411
	648	430	350	280	65	8	200	27	M24	275	36	962	447	SPR67020	500	AZ0411
	758	430	350	280	65	8	200	27	M24	275	36	962	501	SPR67025	560	AZ0411
	858	430	350	280	65	8	200	27	M24	275	36	962	545	SPR67030	610	AZ0411
	360	490	400	320	70	10	250	35	M24	330	36	1.257	428	SPR88005	380	AZ0413
	460	490	400	320	70	10	250	35	M24	330	36	1.257	484	SPR88010	430	AZ0413
	570	490	400	320	70	10	250	35	M24	330	36	1.257	555	SPR88015	490	AZ0413
	670	490	400	320	70	10	250	35	M24	330	36	1.257	611	SPR88020	540	AZ0413
	780	490	400	320	70	10	250	35	M24	330	36	1.257	681	SPR88025	600	AZ0413
	880	490	400	320	70	10	250	35	M24	330	36	1.257	737	SPR88030	650	AZ0413
	395	550	450	360	80	10	325	55	M24	375	36	1.590	598	SPR110005	465	AZ0415
	495	550	450	360	80	10	325	55	M24	375	36	1.590	670	SPR110010	515	AZ0415
	605	550	450	360	80	10	325	55	M24	375	36	1.590	740	SPR110015	575	AZ0415
	705	550	450	360	80	10	325	55	M24	375	36	1.590	803	SPR110020	625	AZ0415
	815	550	450	360	80	10	325	55	M24	375	36	1.590	883	SPR110025	685	AZ0415
	915	550	450	360	80	10	325	55	M24	375	36	1.590	943	SPR110030	735	AZ0415